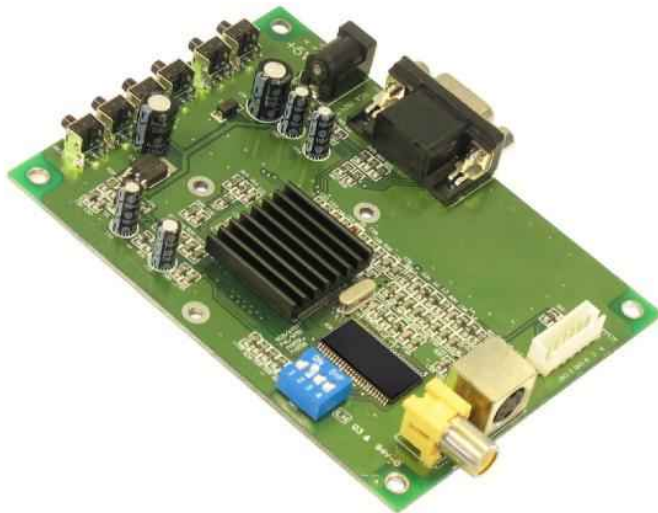


VGA to CGA Converter ID #40



Operation Manual

Introduction

The ID – 40 VGA to CGA Converter is pure Hardware design, simply Plug and Play. No software driver requirement, the ID – 40 VGA to CGA converter is compatible with any operating system.

Features

- Switchable NTSC, NTSC-EIAJ (for Japan), PAL, PAL-M, PAL-N, PAL - combination - N and SECAM(via RGB OUT) video system.
- Supports PC 640x480@60/72/75/85Hz, 800x600@56/60/72/75Hz, and 1024x768@60Hz display mode.
- Supports MAC 640x480@66Hz display mode.
- Supports Composite VIDEO, S-VIDEO or RGB output.
- Supports Position control, with ZOOM function
- Power conservation by VESA DPMS method, compatible with VGA Monitor power saving.
- True 24 bit A/D converter for the true 16.7 million colour conversion.

Operation Controls and Functions

Buttons and Switch of GA to CGA converter -TV system Switch

Selects the desired video standard output.

<i>Television Standard</i>	<i>Switch</i>		
	4	3	2
NTSC	ON	ON	ON
NTSC-EIAJ	OFF	ON	ON
PAL-M	ON	OFF	ON
PAL-N	ON	ON	OFF
PAL-B,D,G,HI	OFF	ON	OFF
PAL-combination-N	OFF	OFF	OFF

<i>Video Signal</i>	<i>Switch</i>
RGB OUT enable	OFF
Composite & S-Video Out	ON

1. SIZE Button:

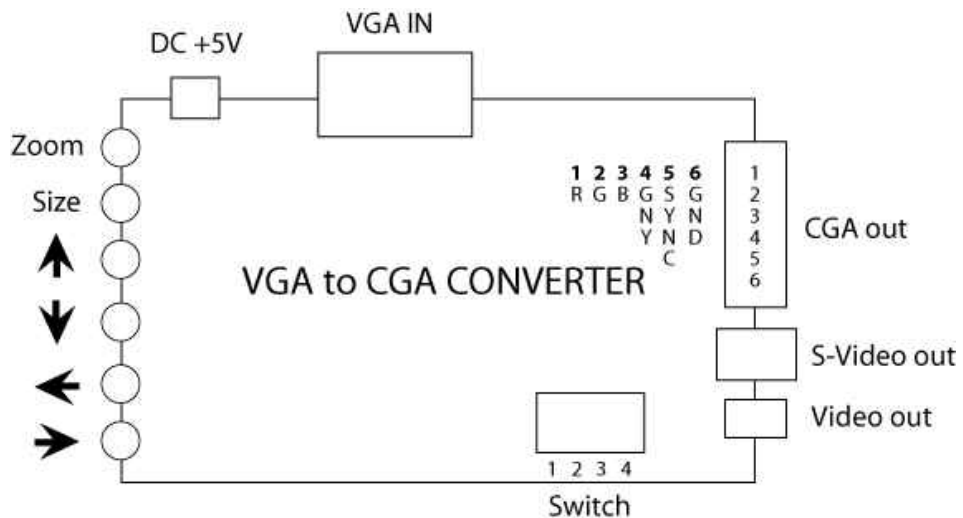
Switch between UNDERSCAN and OVERSCAN, available on 640x480 mode only.

2. ZOOM Button:

Toggles between ZOOM and NORMAL display.

3. POSITION Button:

Press UP, DOWN, LEFT, RIGHT buttons; and the picture will move in the direction pressed.



**MODE and
Resolution Table**

The TV-View Pocket support the following VGA display modes

Resolution	640 x 480	640 x 480	640 x 480	640 x 480	800 x 600	800 x 600	800 x 600	800 x 600	1024 x 768
Horizontal Frequency (Khz)	31.5	37.9	37.5	43.3	35.2	37.9	48	47.2	48.4
Vertical Frequency (Hz)	60	72	75	85	56	60	72	75	60

The TV-View Pocket support the following MAC display modes

Resolution	512 x 384	640 x 480	640 x 480
Horizontal Frequency (Khz)	31	35	53.7
Vertical Frequency (Hz)	70	66	85

Specifications

PARAMETER	SPECIFICATIONS		
POWER	INPUT		DC 5V ± 0.5V
	CONSUMPTION		3.0 WATT'S MAXIMUM
SIGNALS	OUTPUT 1:	CGA	VIDEO Analog RGB 2.5VP-P/1KΩ Hf: 15.7KHz, Vt: 60Hz
			SYNC NEGATIVE/POSITIVE H/V TTL 3.5~5.0VP-P
	OUTPUT 2:	COMPOSITE VIDEO	1.0Vpp±0.2Vpp 75Ω, negative sync.
	OUTPUT 3:	S-VIDEO	Y, 0.7Vpp±0.2Vpp 75Ω, negative sync C, 0.3Vpp±0.1Vpp
		INPUT: VGA/SVGA	VIDEO Analog RGB 0.7VP-P/75Ω SYNC NEGATIVE/POSITIVE SEPARATE TTL 5.0VP-P
VIDEO CONNECTOR	OUTPUT1	CGA	6PIN(B,G,R,GND,H/V,GND)
	OUTPUT2	COMPOSITE VIDEO	RCA JACK
	OUTPUT3	S-VIDEO	4 PIN MINI-DIN connector
		INPUT VGA/SVGA	15PIN D-SUB (STANDARD) FEMALE
USER CONTROLS	ZOOM, SIZE, POSITION, TV SYSTEM SWITCH		
ENVIRONMENTAL LIMITS	OPERATING TEMP.		0° TO 55°C
	STORAGE TEMP.		-20° TO 70°C
OVERALL DIMENSION (HxWxD)	20.5x125x92 mm		
WEIGHT	150g		

Installation

1. Please make sure that the DC voltage is exactly within the voltage range shown in the specifications
2. check if the signal source and converter are both connected
3. Plug the free end of the signal cable into the 6 pin RGB socket plug of the converter. Another free connects to a CGA monitor
4. Plug the free end power connector into the DC-JACK of the DC source
5. Finally, turn on the converters power